

Mina Space Creator


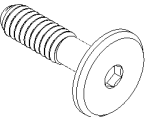


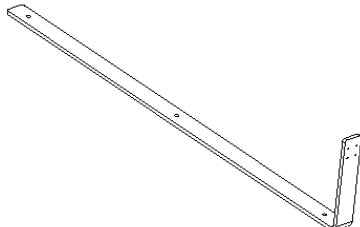


ASSEMBLY INSTRUCTIONS

The following instructions will guide you through the steps required to assemble your new Mina Space Creator.

Please read entire installation guide before beginning installation.

The appropriate hardware kits for each mobile will be packaged with each product.

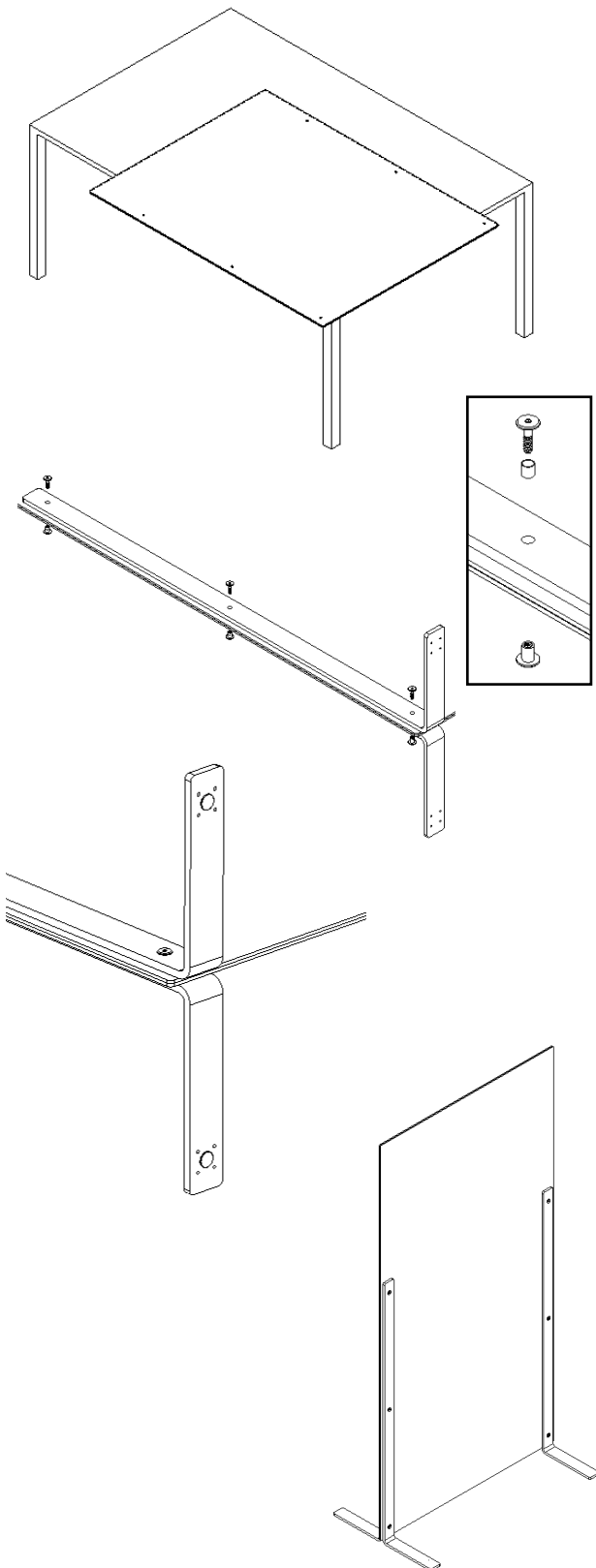
- Binder Post (x6) 
- Binder Screw (x6) 
- Protective Sleeve (x6) 
- Adhesive glides (x4) Space Creator 
- Steel legs (x4) 

WARNING

Risk of injury to installers and users
Read the entire assembly directions before
beginning assembly.

Mina Space Creator

Assembly



Step 1

Place panel on a clean work bench or table. We recommend you place a blanket or protective cloth to prevent any scratching of the writing surface. Overhang panel to one side of table 3", to allow for leg assembly.

Step 2

Position legs as shown. Join front and back leg to panel using the binder post (3), sleeve (3) and binder Screw (3). Tighten with Allen key (not provided). Do not fully tighten at this point. Repeat for other side.

Step 3

Apply glide to underside of steel legs. (x4)

Step 4

With two people, stand space creator up on a flat level surface. Now tighten all 6 binder screws.