



Cursive One Wall-Mount LCS\Glass Whiteboards Tackboard\Acoustic



ASSEMBLY INSTRUCTIONS

Cursive Wall-Mounted Whiteboard solutions consist of four surface options. The instructions will explain how to install each of the following:

- Cursive One – LCS Porcelain Whiteboard
- Cursive One – Glass Whiteboard
- Cursive One – Acoustic/Fabric Surface

*Follow the relevant installation based on what style of board you have.

The appropriate hardware kits for each panel will be packaged with each product.

- Calyx – LCS Porcelain – “Z-bar” wall hanger (x2)
- Calyx – Glass Whiteboard – “Z-bar” wall hanger (x1) & Dual Lock* Washers (x3)
- Calyx – Acoustic/Fabric Surface – “Z-bar” wall hanger (x2)

The quantity of each item will vary with board size.

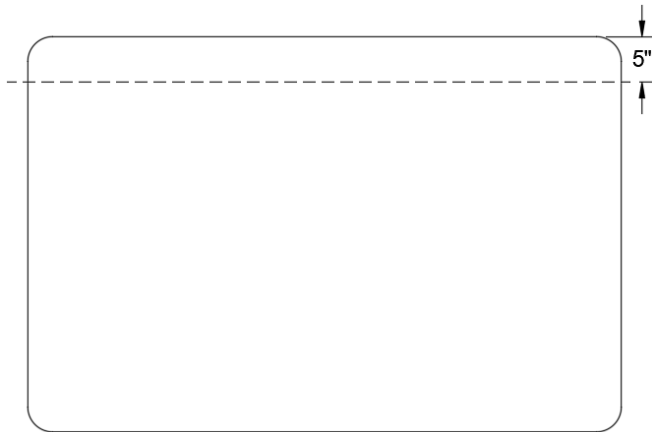
Screws and hardware to attach hangers, to the wall should be appropriate for the type of wall construction and are to be supplied by the installer.

WARNING

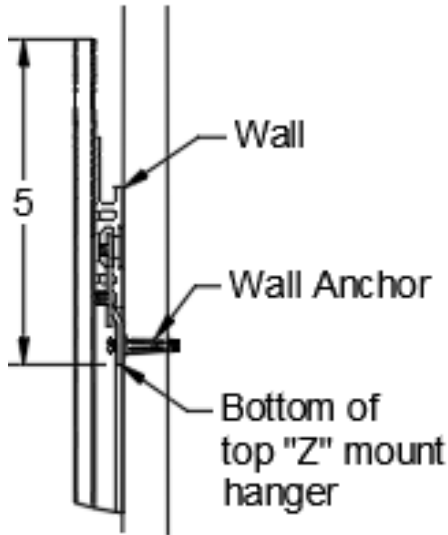
Risk of injury to installers and users
Read the entire assembly directions before
beginning assembly.

Cursive One Wall-Mount

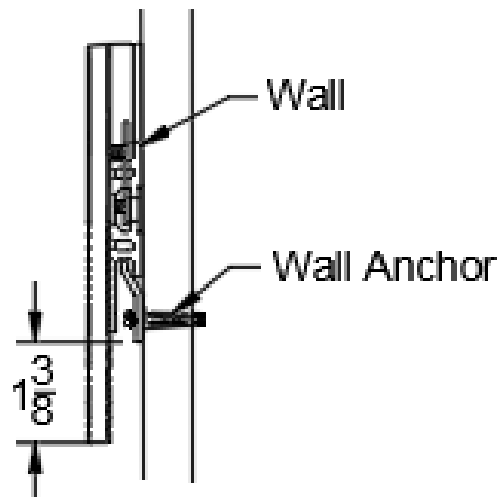
Option 1 — Cursive One LCS—TB — AC



1. Determine the desired top height for mounting the panels. Mark a line.
2. Measure down 5" from the top line and draw a level line for the top hanger.
3. Measure down from the top line the height of the panel. Make a small line. From there, measure up 1 3/8". Mark a line for the position of the lower hanger.
4. Attach hanger using appropriate wall fasteners. Ensure hanger is mounted **centered** of board width.
5. Using a straight edge, shim where necessary so that all anchor points of hangers are in line and level.
6. Hang board onto "Z" bar hanger. Ensure both top and bottom hanger engage with support trim as shown. (Requires 2 people)



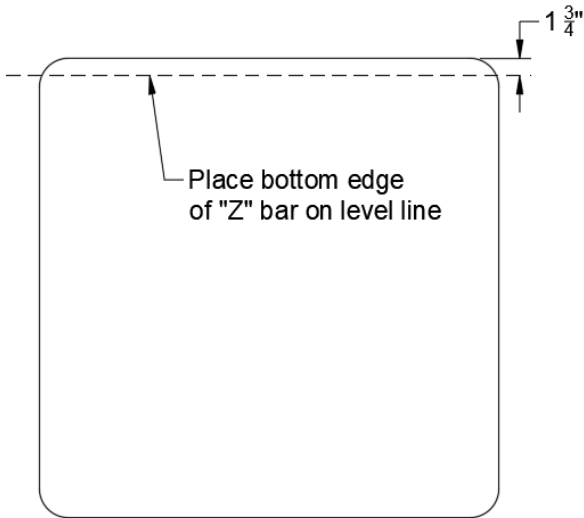
A - Top Hanger Location



B - Bottom Hanger Location

Cursive One Wall-Mount

Option 2 — Cursive One - Glass



Hardware:

"Z" Bar hanger mount
Dual Lock Washers—x3
Appropriate wall screw (Maintain 12" centers)

Step 1. Determine the desired top height position of the board on the wall. Mark a line with a pencil and also mark center.

Step 2. Measure down 1 3/4" from the line and draw a level line.

Step 3. Place bottom edge of "Z" Bar hanger on level line, and center right to left.

Step 4. Using a straight edge, shim where necessary so that all anchor points of the hanger are in line and level.

Step 5. Using appropriate wall fasteners, attach "Z" bar mount to wall. (Install every 12")

Step 6. Before hanging board, adhere Dual Lock washers to the back of the panel as shown. Remove protective film from each Dual Lock washer.

Step 7. Hang panel onto "Z" Bar mount. Press and hold bottom section for 60 seconds to ensure Dual Locks are adhered to the wall. (Requires 2 people)

