

WARNING

RISK OF INJURY to installers and Users
Read the entire assembly direction before
beginning installation.
Do not use Wall Rail to support objects outside
the ACENO Track Wall System.

Wall Rail is only intended for use with ACENO
Collection
Building construction varies greatly. The
Building's Engineer of Record is responsible for
the design of building walls which the rails are
attached to and must verify the adequacy of the
mounting hardware.

PACKAGE CONTENTS

1. Wall rail support (x2)
2. Lower rail (x1)
3. Upper rail (x1)
4. Endcaps (x4)
5. #8 x $\frac{1}{2}$ screws (x10) Required for 8'
length

Wall Construction and Hardware Selection

NOTE: Mounting hardware is not provided. Choose hardware adequate for your specific wall construction (see warning on pg. 1)

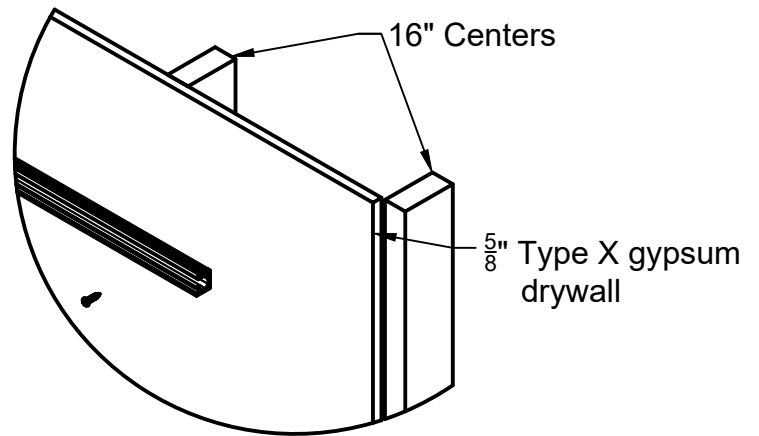
TOOLS REQUIRED:

Level or Laser Level

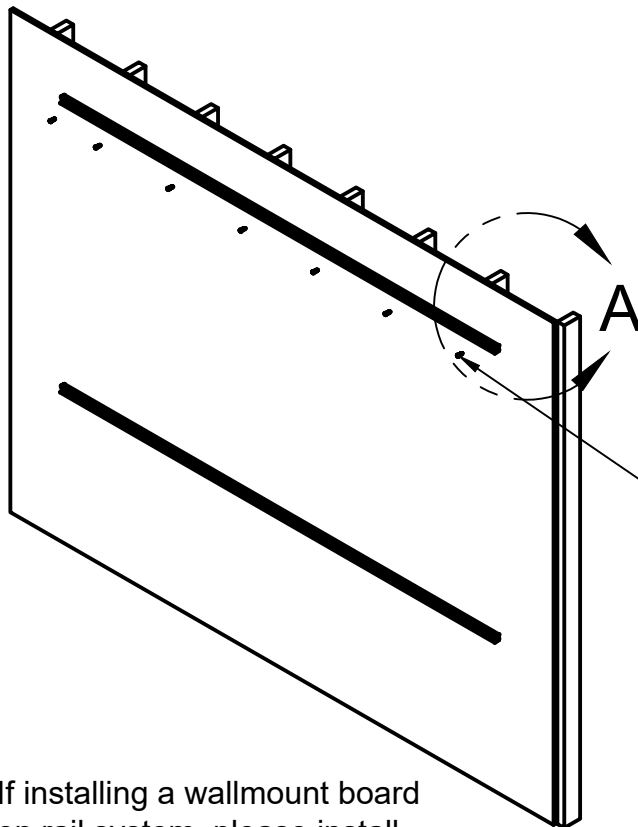
Hand Drill

Appropriate Drill Bit for Wall Anchors & Hardware

Phillips Driver



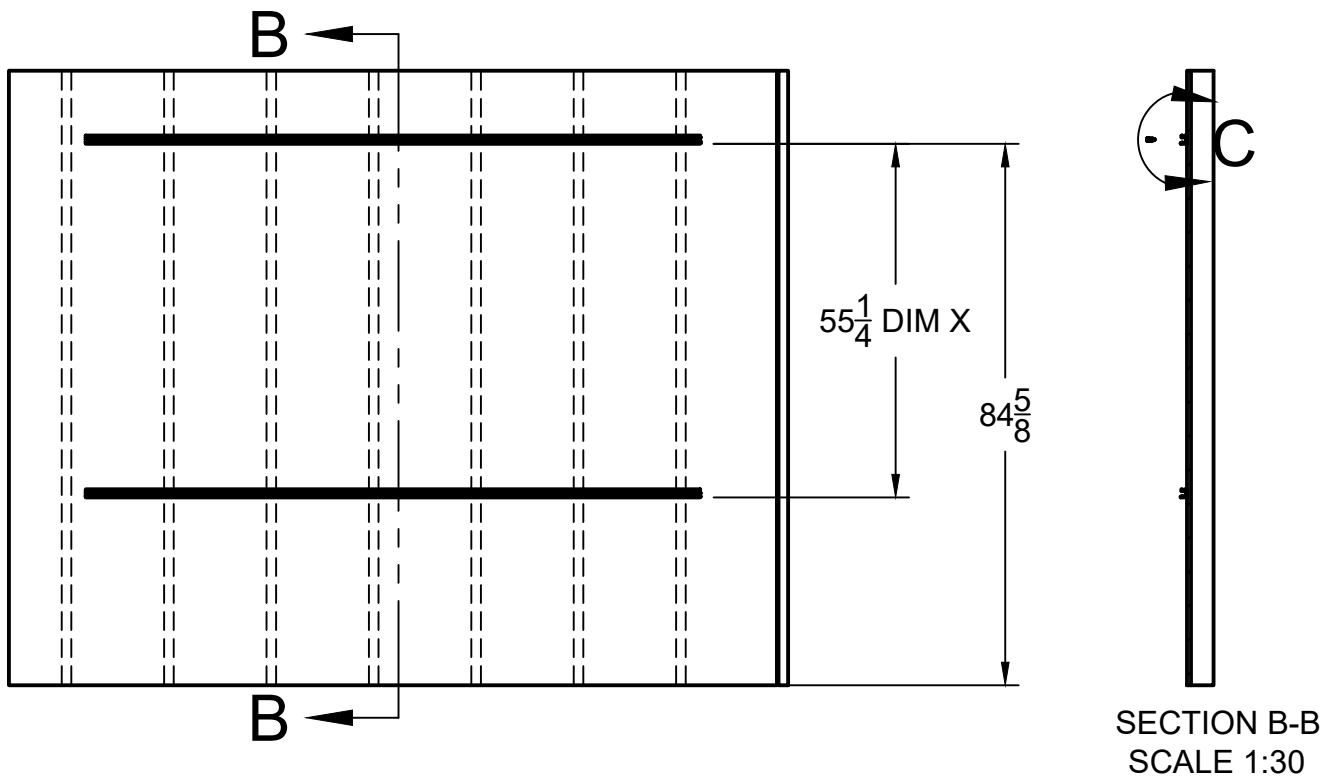
DETAIL A
SCALE 1:10



Note: A minimum of 7 #12x1" sheet metal or wood screws are required to attach an 8' rail to wall. Ensure Rail remains straight when fastening to wall. Shim rail where needed.

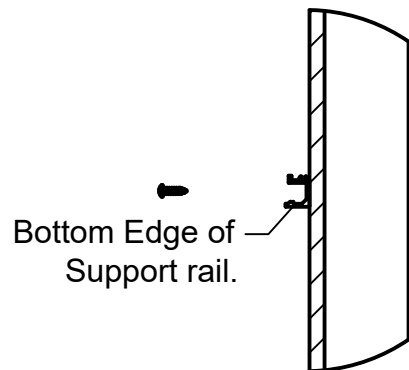
Note: If installing a wallmount board between rail system, please install prior to this step.

Rail Spacing Overview



1. Draw a level line 1 3/8" down from the desired finished height of the top rail.
2. Mark the centers of the stud locations.
3. Place the bottom edge of the support rail on the line.
4. Drill hole in wall rail at every stud location.
5. If end of rail is not at a stud location, attach with appropriate anchors and hardware.
6. Use chart below to mark the bottom edge of the lower support rail. Repeat steps 3-5 for lower wall support rail.

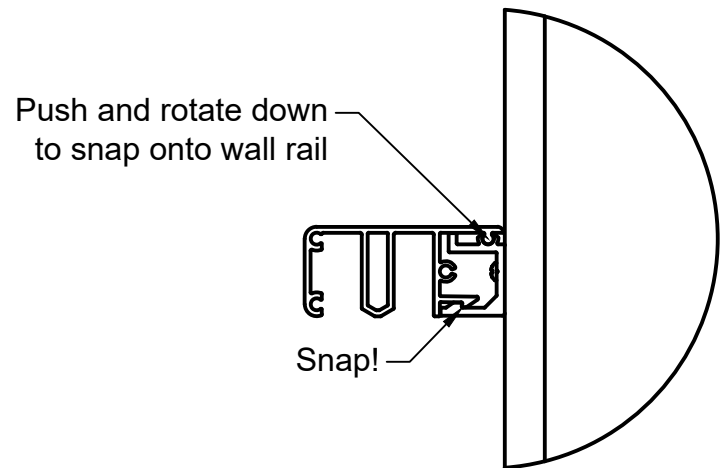
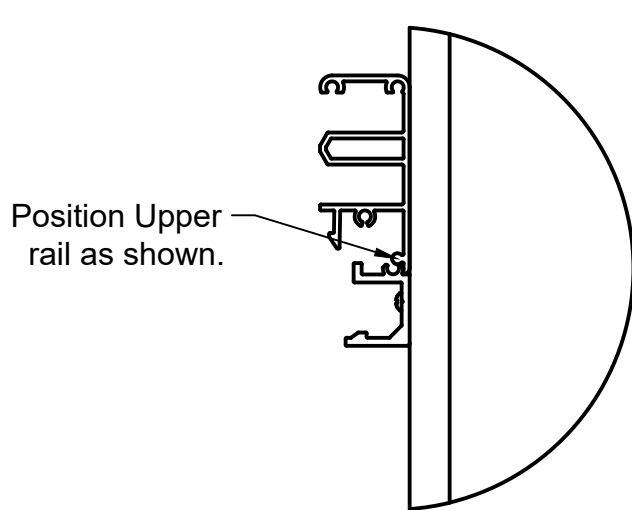
Panel Size	DIM X Portrait	DIM X Landscape
4828	48.25	28.50
4836	48.25	36.50
5528	55.25	28.50
5536	55.25	36.50
6828	68.25	28.50
6836	62.25	36.50



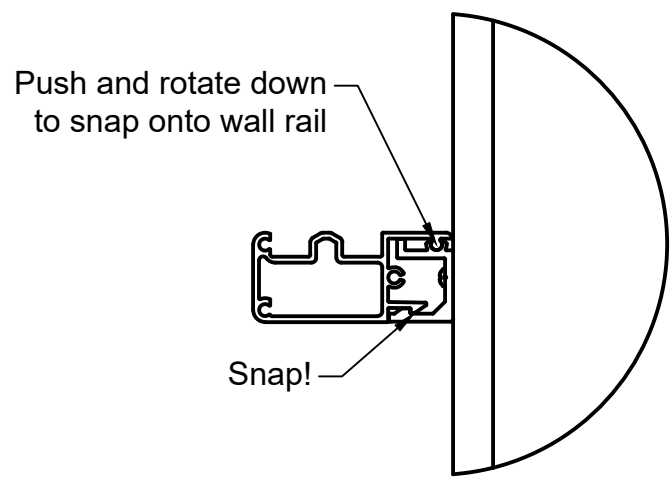
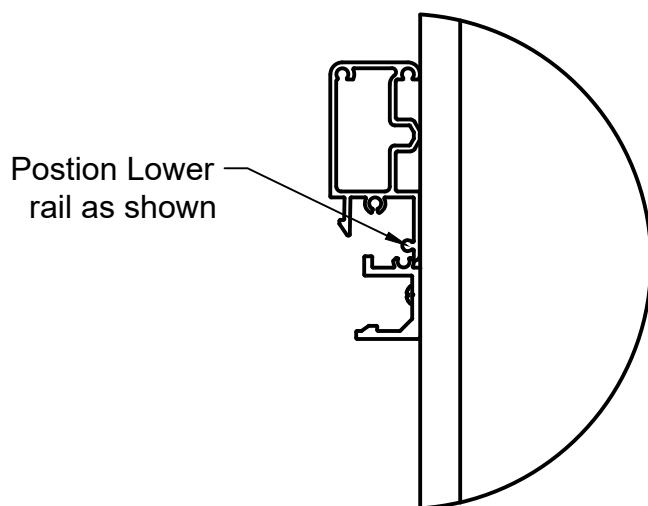
DETAIL C
SCALE 1:8

* For Custom size panels, X = Panel Height + 1/2"

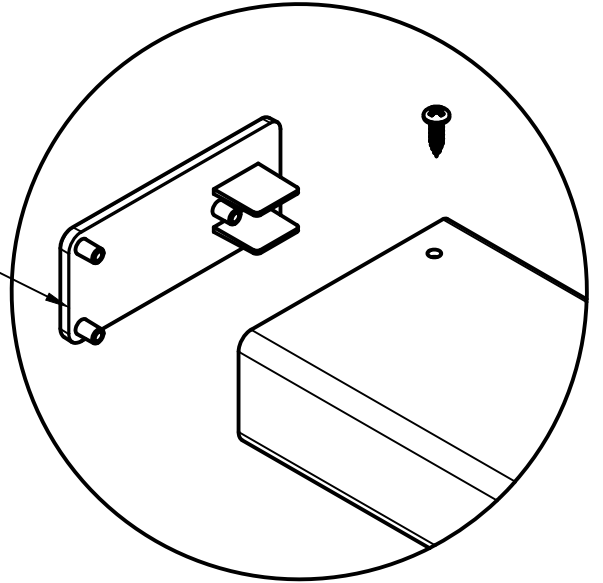
Upper Rail Assembly



Lower Rail Assembly

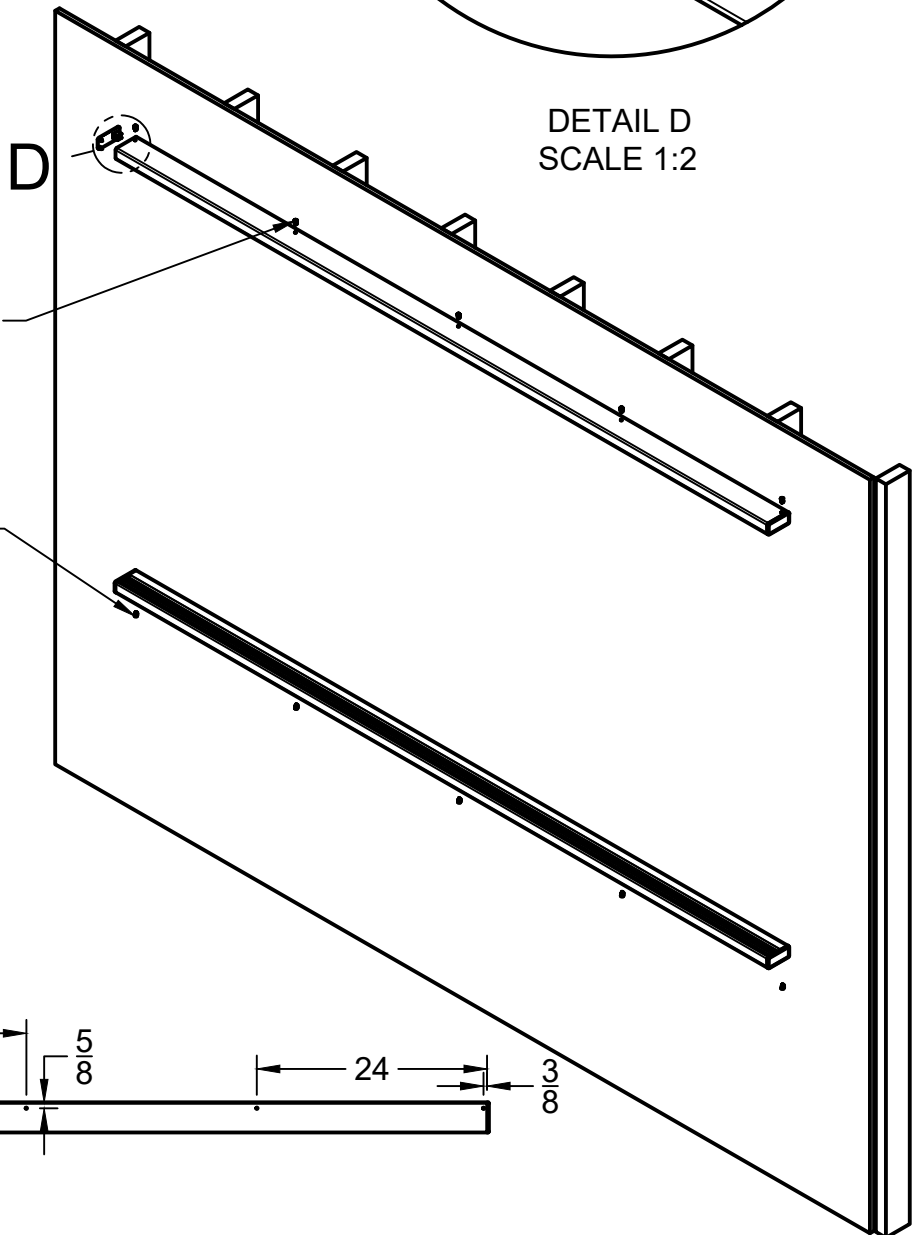


Insert Endcaps into end of rails.



DETAIL D
SCALE 1:2

Secure Upper & Lower rail to wall support rails.
Drill 9/64" hole thru the top & bottom rail, into the support rails.
Secure rails with #8 - 1/2 screws provided.



Drilling locations

