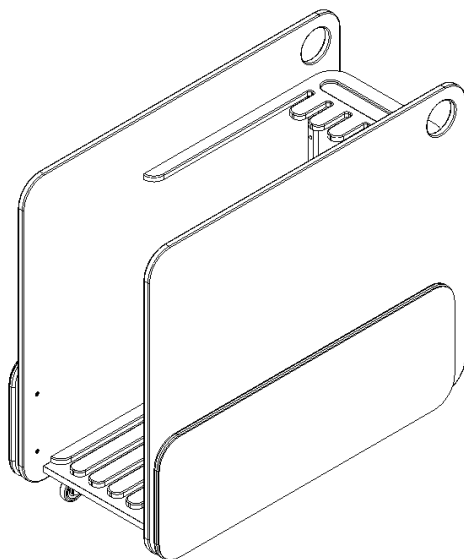




Aceno Cart

ASSEMBLY INSTRUCTIONS



WARNING

Risk of injury to installers and users
Read the entire assembly directions before
beginning assembly.

Hardware & Tools Required

Tools:

5/32" Allen Key (Not included)

Hardware:

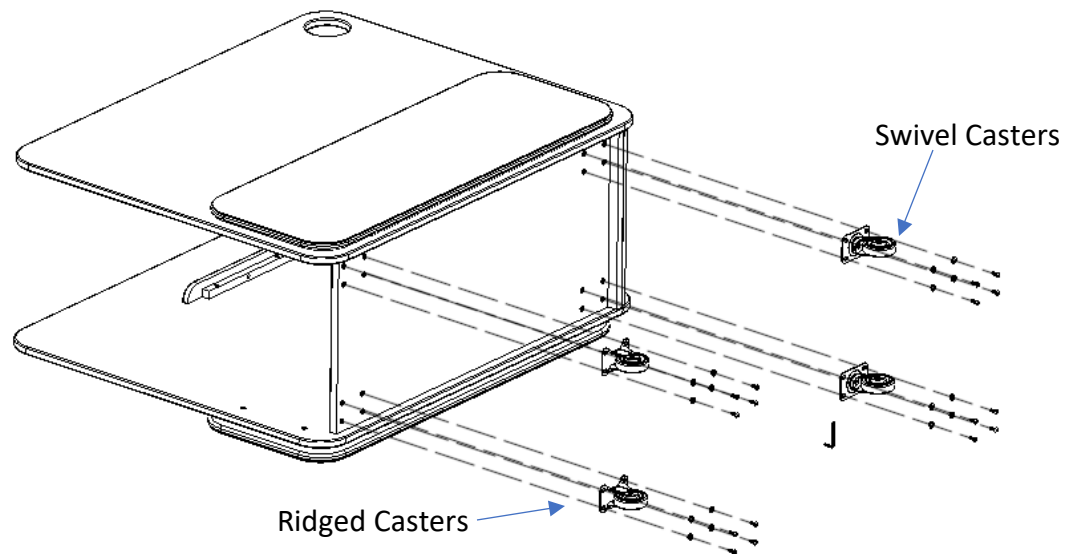
1/4"-20 x 5/8" Button Head Hex Screw – 16

1/4" lock washer – 16

Swivel Caster – 2

Ridged Caster – 2

ACENO Cart



Assembly

1. Gently place ACENO Cart on onside as shown above. (2 people required)
2. Use a 5/32" Allen Key to attach the ¼-20 x 5/8" Screw with locker washer (4 each per caster) Attach Ridged casters to the open front section of the cart.
3. Repeat step 2. To attach the Swivel casters to the back section of the cart.
4. Carefully return cart to upright position.

Your ACENO Cart is now ready to store your ACENO Panels. Enjoy!

