

## Cursive Wall-Mount Whiteboards



### ASSEMBLY INSTRUCTIONS

---

Cursive Wall-Mounted Whiteboard solutions consist of two separate boards installed side by side. The instructions will explain how to install each of the following:

- Calyx – LCS Porcelain Whiteboard
- Calyx – Glass Whiteboard
- Calyx – Acoustic/Fabric Surface

\*Follow the relevant installation based on what combination of panels you have.

The appropriate hardware kits for each panel will be packaged with each product.

- Calyx – LCS Porcelain – “Z-bar” wall hanger (x2)
- Calyx – Glass Whiteboard – “Z-bar” wall hanger (x1) & Dual Lock\* Washers (x3)
- Calyx – Acoustic/Fabric Surface – Dual Lock\* Washers (x6)

The quantity of each item will vary with board size.

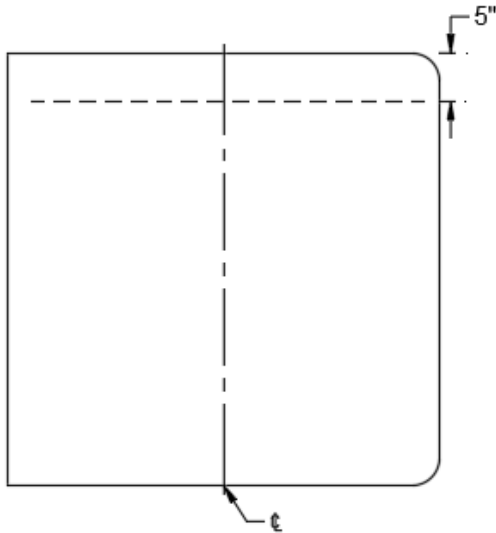
Screws and hardware to attach hangers, to the wall should be appropriate for the type of wall construction and are to be supplied by the installer.

#### WARNING

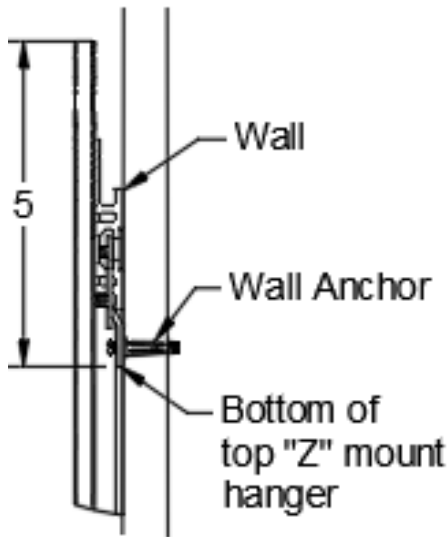
Risk of injury to installers and users  
Read the entire assembly directions before  
beginning assembly.

# Cursive Wall-Mount

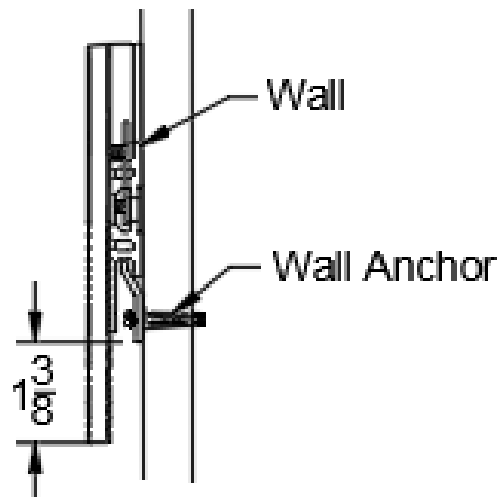
## Option 1 — Calyx LCS Porcelain



1. Determine the desired top height for mounting the LCS panels. Mark a line.
2. Measure down 5" from the top line and draw a level line for the top hanger.
3. Measure down from the top line the height of the panel. Make a small line. From there, measure up 1 3/8". Mark a line for the position of the lower hanger.
4. Attach hanger using appropriate wall fasteners. Ensure hanger is mounted **centered** of board width.
5. Using a straight edge, shim where necessary so that all anchor points of hangers are in line and level.
6. Hang board onto "Z" bar hanger. Ensure both top and bottom hanger engage with support trim as shown. (Requires 2 people)



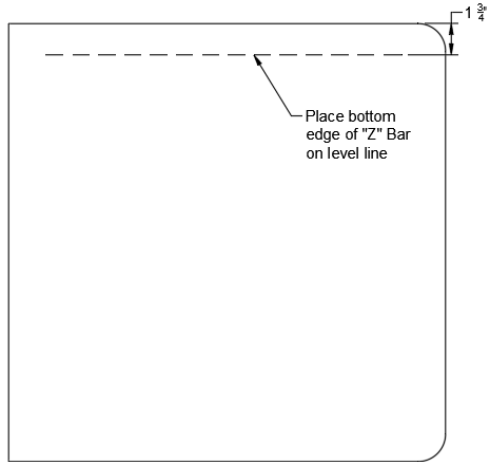
A - Top  
Hanger Location



B - Bottom  
Hanger Location

# Cursive Wall-Mount

## Option 2 — Calyx Glass



### Hardware:

- “Z” Bar hanger mount
- Dual Lock Washers—x3
- Appropriate wall screw (Maintain 12” centers)

Step 1. Determine the desired top height position of the board on the wall. Mark a line with a pencil and also mark center.

Step 2. Measure down 1 3/4” from the line and draw a level line.

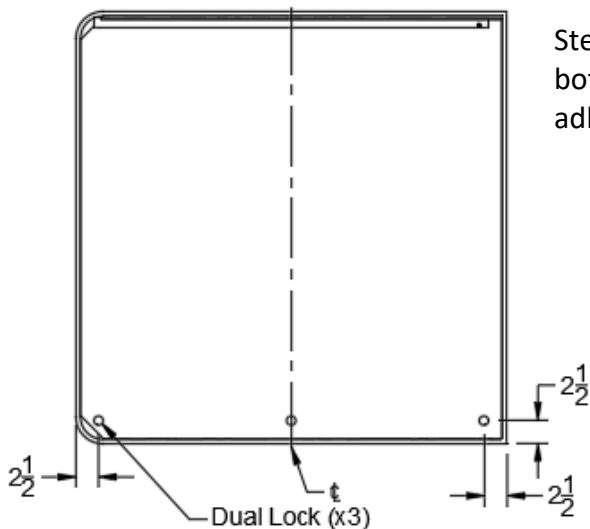
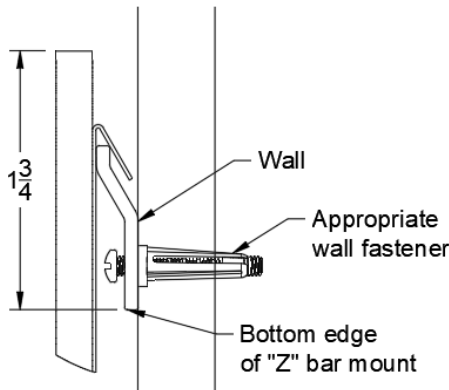
Step 3. Place bottom edge of “Z” Bar hanger on level line, and center right to left.

Step 4. Using a straight edge, shim where necessary so that all anchor points of the hanger are in line and level.

Step 5. Using appropriate wall fasteners, attach “Z” bar mount to wall. (Install every 12”)

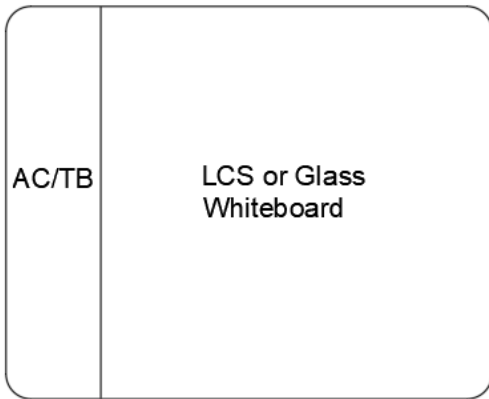
Step 6. Before hanging board, adhere Dual Lock washers to the back of the panel as shown. Remove protective film from each Dual Lock washer.

Step 7. Hang panel onto “Z” Bar mount. Press and hold bottom section for 60 seconds to ensure Dual Locks are adhered to the wall. (Requires 2 people)



# Cursive Wall-Mount

## Option 3 — Calyx Acoustic/Fabric Surface



### Hardware:

Dual Lock Washers—x6

Appropriate wall screw—x6 (For maximum strength)

Step 1. Calyx Acoustic/Fabric should be installed after the installation of either the LCS or Glass Whiteboard.

Step 2. Alignment & Dual Lock placement

Calyx Acoustic/Fabric surfaces are attached to the wall using 2pc Dual Lock washers.

One half is already fastened to the back of the panel. We recommend fastening the other half to your wall using the appropriate screws.

- To determine location. Assemble the Dual lock washers as shown with a screw positioned between them.
- Position AC/TB panel beside LCS/Glass Whiteboard. Ensure top edges are flush to one another.
- Press down over each washer location for to create a small hole at each screw point.
- Remove back of Dual Lock washers from the panel. Fasten them to the wall with appropriate screws.
- Re-hanger panel and press down on surface to ensure Dual locks are engaged.

