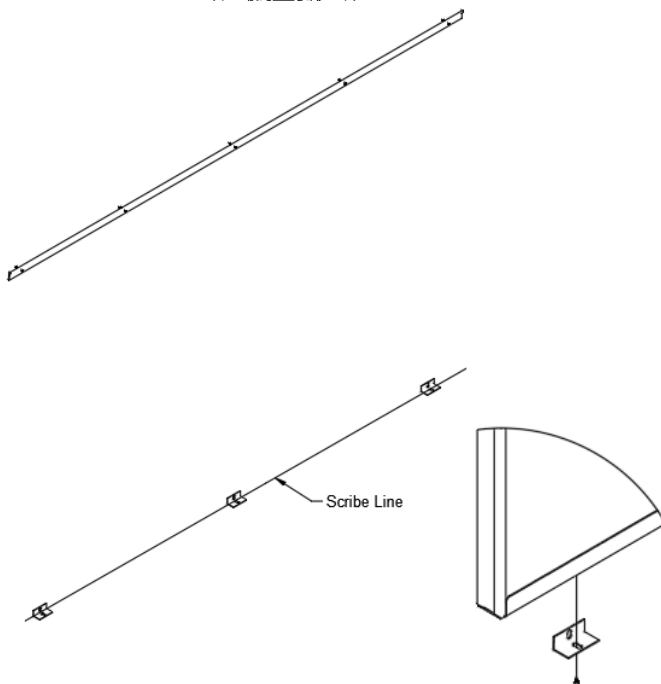
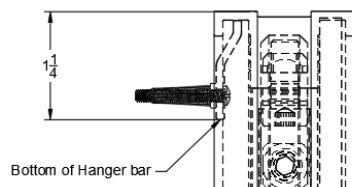




# Switch Wall-Mounted Whiteboards



## ASSEMBLY INSTRUCTIONS



1. Determine desired height of board and measure down 1 1/4" and mark a level line.
2. Place the bottom of the hanger on the line and mount it to the wall with the appropriate hardware.
3. Place the board on the hanger and scribe a line along the bottom of the board.
4. Remove the board from the wall.
5. We recommend installing the safety "L" brackets approximately 6" from either end of the board. For units greater than 48" wide, we also recommend installing a center bracket. Measure 1/4" above the scribe line and drill for fastener.
6. Install "L" brackets and hand tighten screw snug. Ensure "L" bracket is position 1/8" below scribe line.
7. Rehang the board and fasten "L" brackets by bottom side of board with self tapping screws provided.

Note: Switch Wallboard can be sold with or without pen tray. In both cases "L" brackets are to be attached to bottom of board.



800-434-4610  
Calyxbyclaridge.com