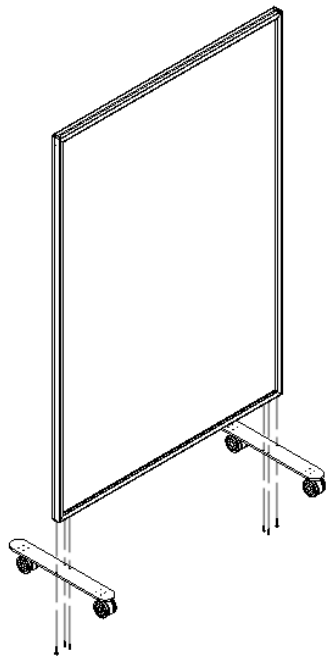
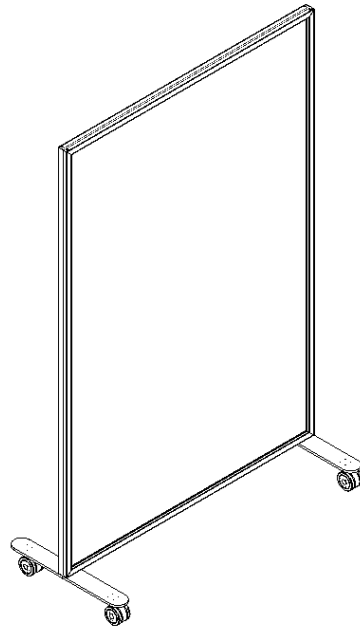




# Contio

## Mobile Board

### ASSEMBLY INSTRUCTIONS



### PACKAGE CONTENTS

- 1 - Contio Framed Board
- 2 - Base with Casters (x2)
- 3 - #8 x 1" Screws (x4)
- 4 - 5/16-18 x 1 1/4" BH Screws (x2)

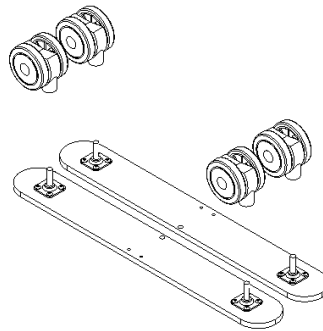
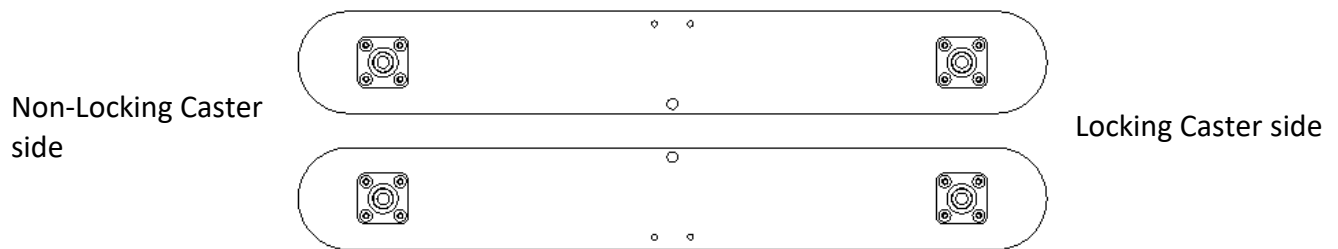
**WARNING**  
Risk of injury to installers and users  
Read the entire assembly directions before  
beginning assembly.

# Contio Mobile Board

---

## ASSEMBLY of Casters to base

1. Lay base feet out with the stems up and hole positioned as shown.
2. Snap Casters onto stems making sure the locking and non-locking casters are on the same side.



## ASSEMBLY of Bases to framed board

1. Lay the Contio panel flat on a table or the floor.
2. Position bases as shown below.
3. Screw base onto frame using the provided hardware.

