



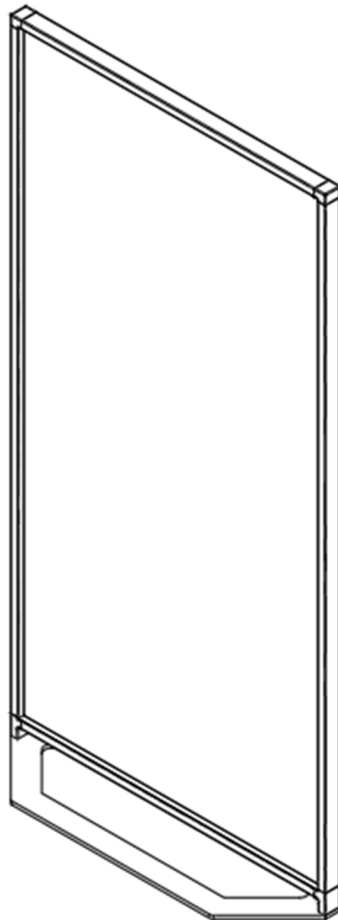
# Venue Space Divider

## Vertical Panel System



### ASSEMBLY INSTRUCTIONS

---



#### Hardware

- 1/4-20 x 1" Screw (x4)
- 1/4-20 x 3" Screw (x2)

#### Tools Required

- 5/32" Allen Wrench

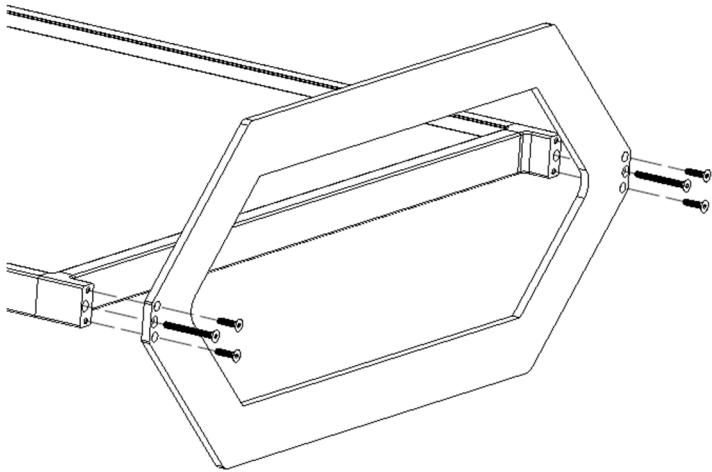
#### WARNING

Risk of injury to installers and users  
Read the entire assembly directions before  
beginning assembly.

# Venue Space Divider

---

## Base Assembly



1. Lay divider down on a flat raised surface. (table)
2. Align steel base as shown with the countersink holes side facing down.
3. Attach the 3" screws to the center hole location on each side. Snug tight. (1 per side.)
4. Then install the 1" screws to both sides, (2 per side)
5. Tighten all screws using a 5/32" Allen Wrench.
6. Stand divider up.

