

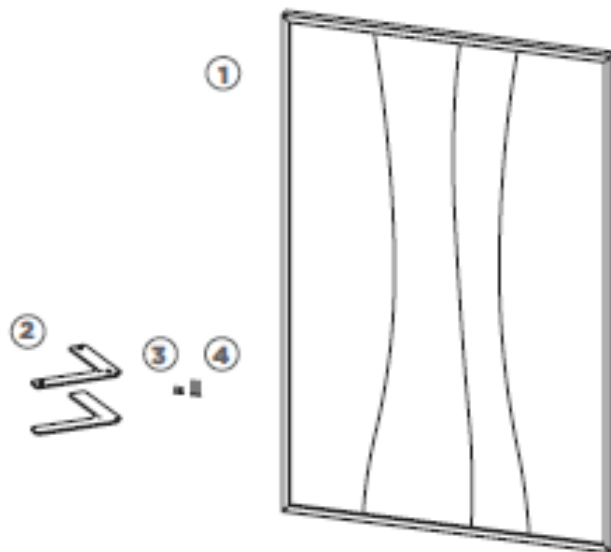


# Ripple

## Space Divider



### ASSEMBLY INSTRUCTIONS



### PACKAGE CONTENTS

- 1 - Divider Board
- 2 - Base (x2)
- 3 - #8 x 1" Screws (x4)
- 4 - 5/16-18 x 2" Hex Screws (x2)

**WARNING**  
Risk of injury to installers and users  
Read the entire assembly directions before  
beginning assembly.

# Ripple Space Divider

---

## ASSEMBLY

1. Lay the divider board flat on a table or the floor.
2. Position base on bottom of board aligning holes.
3. Screw base onto frame using the provided hardware.

