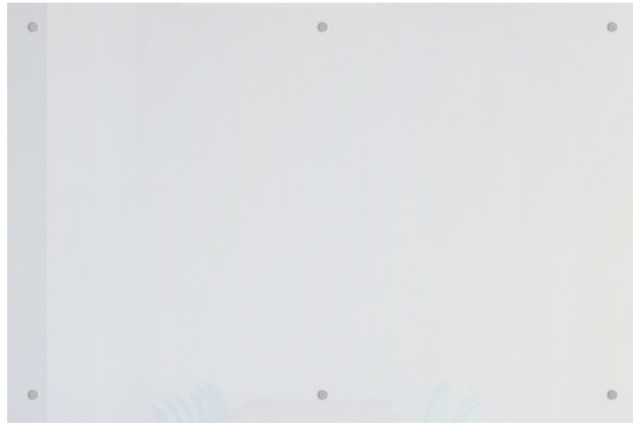




Glass Markerboard

Magnetic with
Through-mounts



INSTALLATION INSTRUCTIONS

Parts List:

- Glass Markerboard
- Stand-offs (number varies with board size)

Tools Needed

- Pencil
- Level
- Drill
- 2mm allen wrench

WARNING

Risk of injury to installers and users
Read the entire assembly directions before
beginning assembly.

Glass Markerboard with Through-mounts

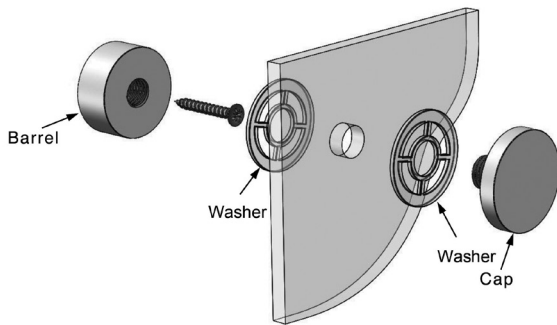
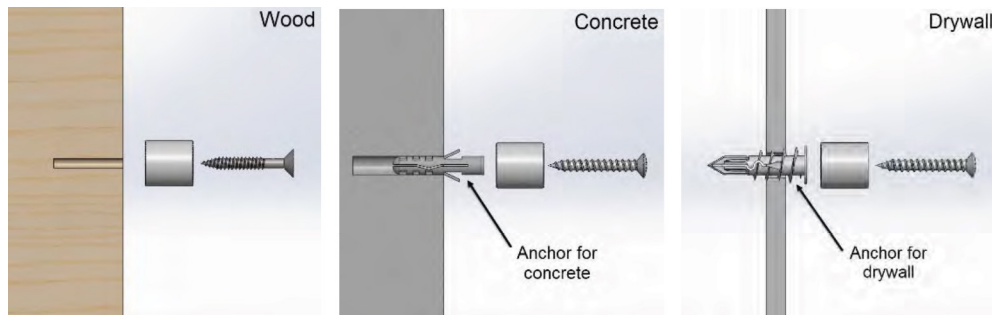


Figure 1

INSTALLATION INSTRUCTIONS

1. Using a level, position the glass board on the wall, use the holes in the glass and mark their location on the wall.
2. Remove board from wall and pre-drill holes in center of circle.
3. Using appropriate screw, install the barrel of the standoffs, repeat for remaining standoffs. (We suggest you anchor into studs, if that is not an option, use fasteners appropriate for your wall type)
4. Make sure to position the barrel where the allen bolt is accessible after glass is installed. (see Figure 1)
5. Position glass centering holes on standoff barrel, making sure to add nylon washer to each side of glass.
6. Screw in cap. Once cap is tight, tighten allen bolts with 2 mm allen wrench.



Always check the installation surface to ensure that the substrate will be strong enough to hold the weight of the panel. All installation must be done so with proper hardware and protective gears to ensure safety. It is important to check that parts are properly tightened at the end of each installation.