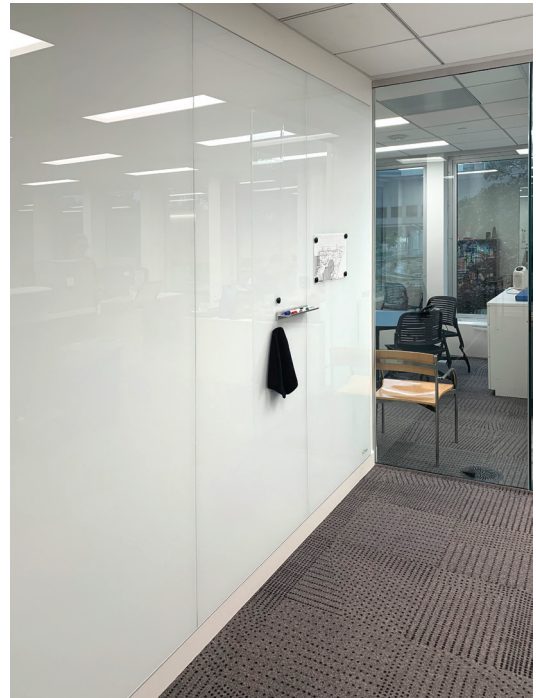


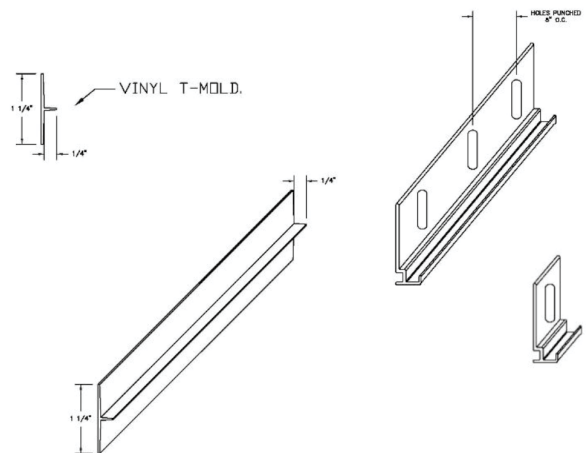
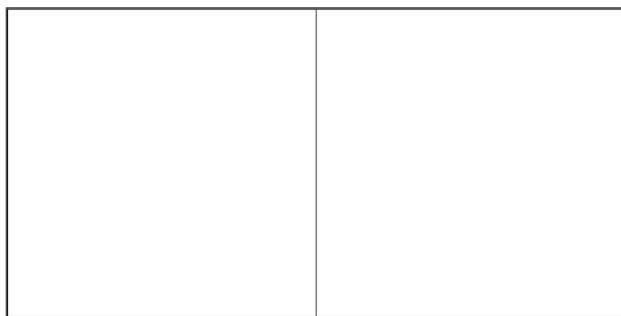


Calyx Glass Large Format System



INSTALLATION INSTRUCTIONS

GLASS MARKER WALL



WARNING
Risk of injury to installers and users
Read the entire assembly directions before
beginning assembly.

Calyx Glass Large Format System

INSTALLATION

1. Inspect product.
2. Cut trim to desired length based on number of panels to be installed.
3. Strike a level line marking position of bottom of glass panels.
4. Secure bottom trim to wall with appropriate screws and anchors making sure trim is level.
5. When installing top trim, drilling in the slots, drill $\frac{3}{4}$ " lower than the height of the glass, measuring up from the inside of the bottom trim.
6. Fasten top trim to wall (push trim all the way up and snug securely). Do not over tighten because trim will be tapped down when glass is installed.
7. Apply adhesive to back of glass in globs about the size of a golf ball in a 12" grid pattern.
8. Place glass in bottom track then tap down the top trim to hold the glass. (If installing multiple panels, make sure the top trim isn't so low it prevents the next panel from sliding into place.)
9. If using the plastic t-mold between the glass panels cut it to desired length and apply adhesive on the backside of the strip. Repeat steps 7 and 8.

Note: If plastic t-mold is not used in the installation, we recommend using it to protect the edge of the glass while it is being moved into position. Place the t-mold in backwards between the glass panels, slide the panels together, pull the t-mold out and gently move the glass into its final position.

10. To insure a flush joint panels should be braced while adhesive is drying.

NOTE: Glass boards installed horizontally can be installed using 1136 clips in lieu of full length 1136 trim. Clips are pre-punched and installation steps would be the same as above. Clips should be evenly placed approx. 12 to 16" apart – top and bottom, starting 3 to 4" in from each end on individual glass panels. Clips are not recommended for glass panels mounted vertically.