



# Glass Markerboard

Magnetic with  
Invisi-mount



## INSTALLATION INSTRUCTIONS

---

**Note:**

Number of dual-lock assemblies furnished varies with markerboard size.  
4' markerboards get 3 dual-lock sets; 6' size gets 4; 8' size gets 5.

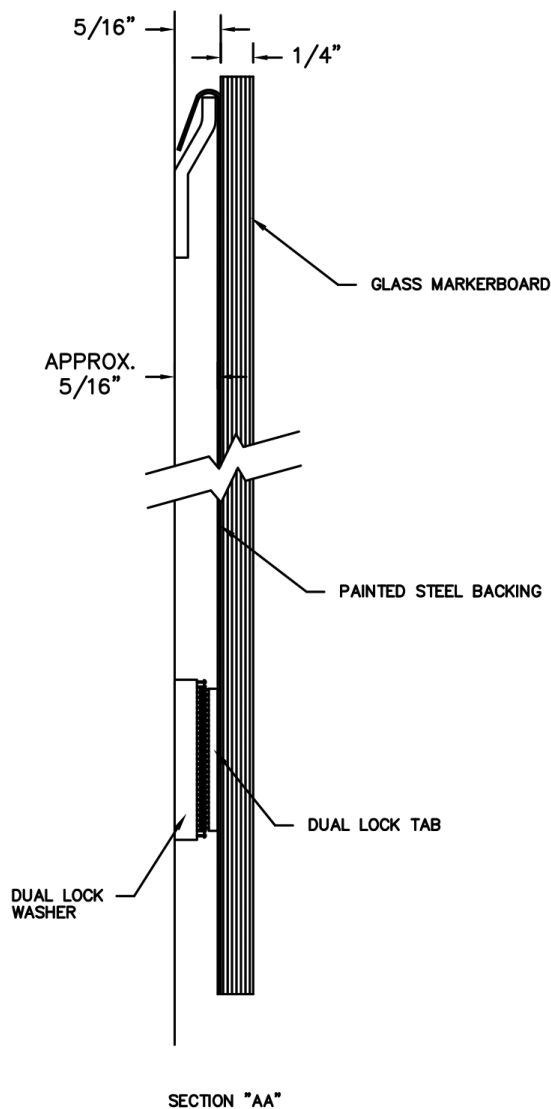
Use caution when positioning glass markerboard panels next to each other. Because the weakest point of tempered glass is along the edges, edges should be protected as much as possible. Take care not to bump, rub, or grind edges together as fracturing may occur. Calyx will not be held responsible for damage caused by improper handling during installation.

*\*Dual lock is a registered trademark of 3M Corporation.*

**WARNING**

Risk of injury to installers and users  
Read the entire assembly directions before  
beginning assembly.

# Glass Markerboard with Invisi-mount



## INSTALLATION INSTRUCTIONS

1. Determine and mark desired height for mounting the magnetic glass markerboard
2. Measure down  $1 \frac{9}{16}$ " from designated height and strike a horizontal line for the bottom of the Z-bar.
3. Attach Z-bar hanger to wall using appropriate screws. Note: Slotted holes in hanger bar ensure easy alignment.
4. Position board on top of hanger and engage with hanger on back of glass markerboard.
5. Make a mark at bottom corners of glass markerboard and carefully remove board from wall.
6. Measure in and up approximately 2-to-3" from marked corners and install dual-lock 'disk' (washer) on wall using appropriate fastener. Press dual-lock strip (tab) firmly into disk on wall making sure mating is secure. (Dual-locks should be evenly spaced along the bottom of board).
7. Remove tape from assembly.
8. Reinstall markerboard, engaging hanger on back of markerboard with hanger on wall.
9. Press in at the bottom allowing the back of the glass markerboard to stick to the exposed adhesive on the hook and loop assembly.



# Glass Markerboard

Magnetic with  
Edge-mounts



## INSTALLATION INSTRUCTIONS

---



### Parts List:

- Glass Markerboard
- Adjustable Edge Grip Stand-offs (number varies with board size)

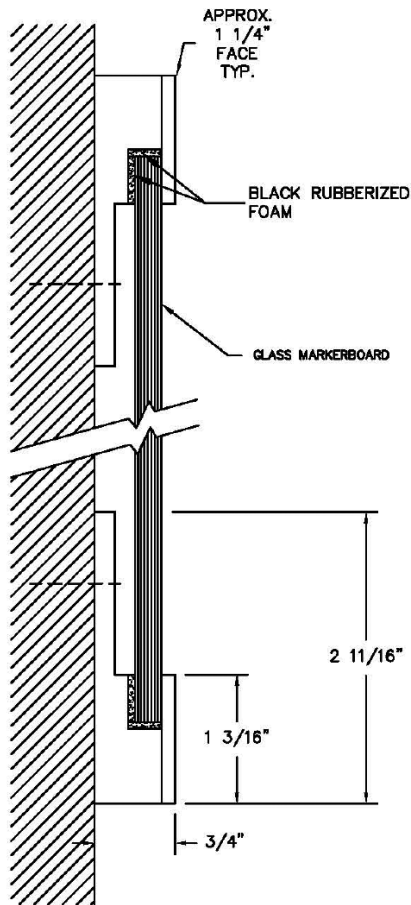
### Tools needed:

- Drill and Drill Bit
- Screwdriver
- Tape Measure and Level
- Hardware appropriate for wall installation

### WARNING

Risk of injury to installers and users  
Read the entire assembly directions before  
beginning assembly.

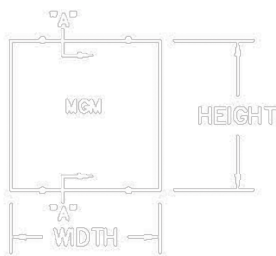
# Glass Markerboard with Edge-mounts



## INSTALLATION INSTRUCTIONS

1. Determine the desired height for the bottom of your glass markerboard.
2. Measure up 1-1/4" from desired height and strike a horizontal line.
3. Determine the length of your board and measure in 3" from both ends of the board and drill a hole for the edge grips. NOTE: Space evenly if more than four edge grips are furnished. (4' lengths and smaller are furnished with four edge grip stand-offs; 6' and 8' lengths are furnished with six: three for the top and three for the bottom.)
4. Fasten the edge grips to wall using fasteners appropriate for wall.
5. Determine top height of board, measure down 13/16" and strike a line, making sure line is level.
6. Install top edge grips following instructions in Step 3.
7. Raise adjustable edge grips at top up as high as possible.
8. Position glass board in groove of bottom edge grips and set in place.
9. Very gently tap top edge grips down until they are snug against the top of the board.
10. Make sure all edge grip stand-off caps are screwed on securely.

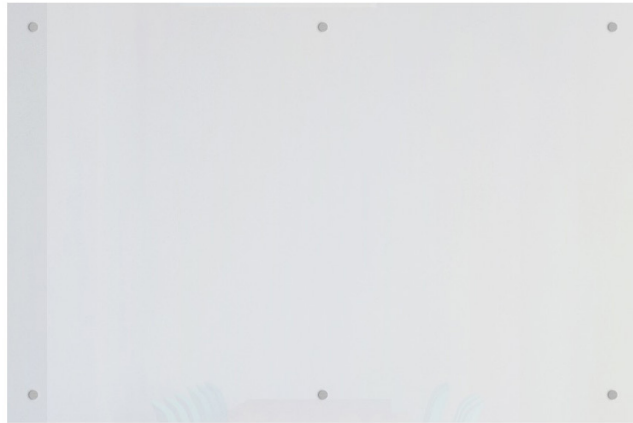
Note: MGM magnetic glass boards are furnished with rare earth magnets. Additional Magnetic Markerboard Accessories are optional.





# Glass Markerboard

Magnetic with  
Through-mounts



## INSTALLATION INSTRUCTIONS

---

### Parts List:

- Glass Markerboard
- Stand-offs (number varies with board size)

### Tools Needed

- Pencil
- Level
- Drill
- 2mm allen wrench

### WARNING

Risk of injury to installers and users  
Read the entire assembly directions before  
beginning assembly.

# Glass Markerboard with Through-mounts

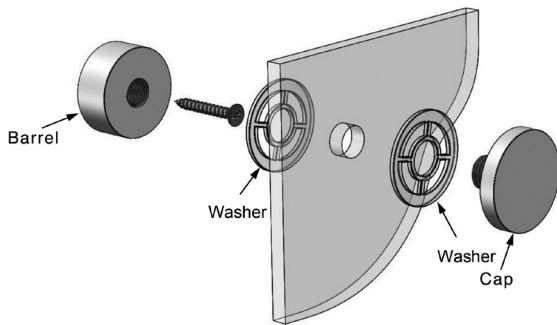
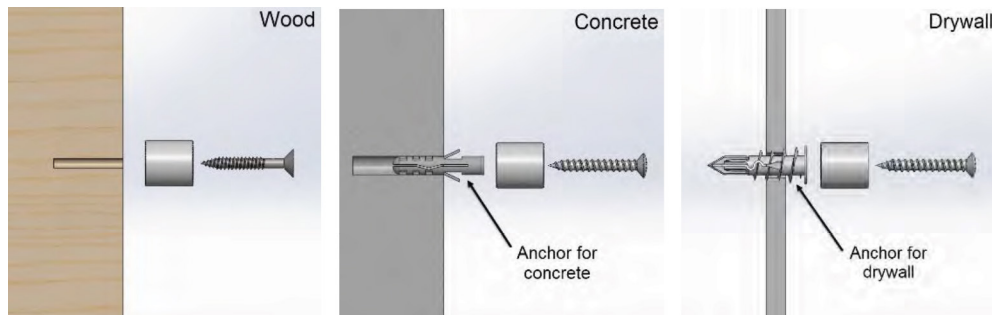


Figure 1

## INSTALLATION INSTRUCTIONS

1. Using a level, position the glass board on the wall, use the holes in the glass and mark their location on the wall.
2. Remove board from wall and pre-drill holes in center of circle.
3. Using appropriate screw, install the barrel of the standoffs, repeat for remaining standoffs. (We suggest you anchor into studs, if that is not an option, use fasteners appropriate for your wall type)
4. Make sure to position the barrel where the allen bolt is accessible after glass is installed. (see Figure 1)
5. Position glass centering holes on standoff barrel, making sure to add nylon washer to each side of glass.
6. Screw in cap. Once cap is tight, tighten allen bolts with 2 mm allen wrench.



*Always check the installation surface to ensure that the substrate will be strong enough to hold the weight of the panel. All installation must be done so with proper hardware and protective gears to ensure safety. It is important to check that parts are properly tightened at the end of each installation.*