



Space Creator

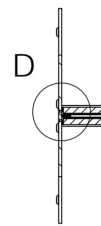
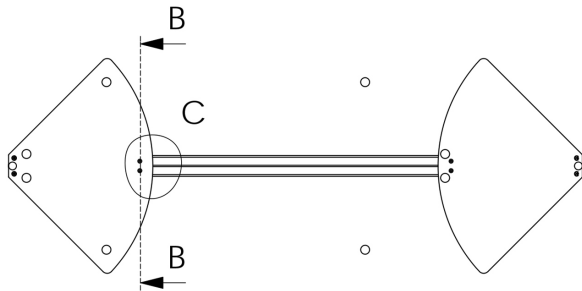
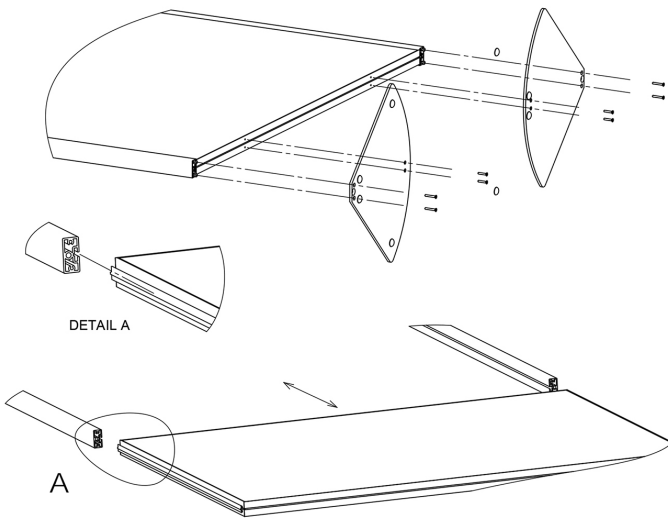
Panel Removal/Replacement Instructions

ORDER OF INSTALLATION

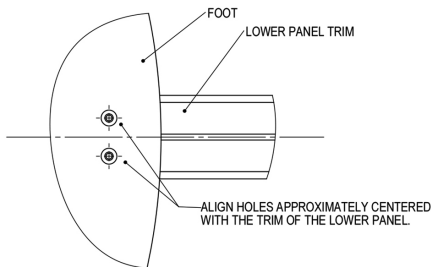
Panels in the space creator can be removed and rearranged or replaced as required for future design changes or replacement due to damages. **The space creator can be heavy. It is recommended that this procedure be done by two people.** See the steps below for panel removal and replacement.

1. With assistance lay the space creator on a flat surface such that the feet can be easily accessed.
2. Remove the screws attaching the feet to the uprights and lower panel. The feet are very heavy. Assistance when removing them is recommended.
3. Slide the panel(s) to be replaced or rearranged out the bottom of the space creator. This is best done with one person holding the top of the unit while a second person slides out the panel.
4. To replace a panel, align the T-molded plastic strips on the panel with the T-slot in the uprights. Slide the panel(s) into position. Again, one person should hold the top of the unit steady while a second person slides the panel in. (Detail view A)
5. Reassemble the feet.

- A. Assemble each foot to the uprights using the two screws removed in step 2.
- B. If the lower panel has been replaced, align the remaining two holes in the foot with the frame of the lower panel. Using the foot as a template, drill two 1/8" diameter holes through the frame of the bottom panel and into the core of the board. The holes should be drilled straight into the core or slightly angled toward the interior of the panel to prevent drilling through the face of the panel. (See following page)
- C. Attach the radiused end of the foot to the lower panel with the screws removed in step 2.

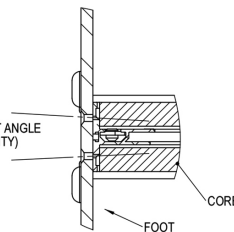


SECTION B-B



DETAIL C

DRILL THROUGH TRIM AT A SLIGHT ANGLE
(ANGLE EXAGGERATED FOR CLARITY)



DETAIL D

